



勝特力材料 886-3-5753170  
勝特力电子(上海) 86-21-54151736  
勝特力电子(深圳) 86-755-83298787  
[Http://www.100y.com.tw](http://www.100y.com.tw)

# DOT MATRIX LIQUID CRYSTAL DISPLAY MODULE

## LMC-SSC2A16-01 Serial

# USER' MANUAL

LMC-SSC2A16DRG-01	LMC-SSC2A16DRY-01
LMC-SSC2A16DLGY-01	LMC-SSC2A16DLYB-01
LMC-SSC2A16DLGY-E01	LMC-SSC2A16DLYY-01
	LMC-SSC2A16DLYY-E01

PROPOSED BY		APPROVED
Design	Approved	

**SDEC TECHNOLOGY CORP.**

# CONTENTS

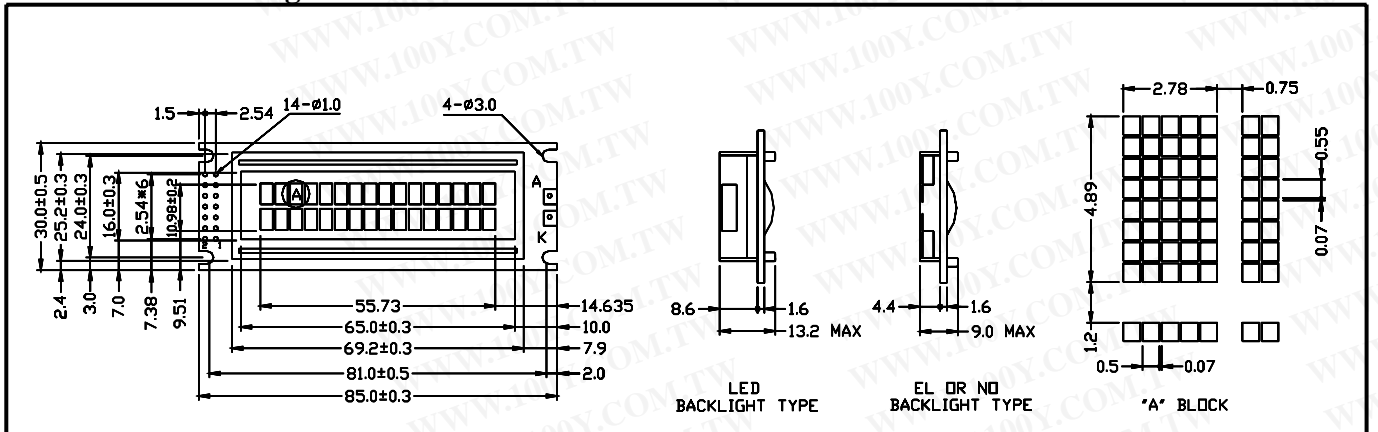
	PAGE
1. Mechanical Specification	2
2. Mechanical Diagram	2
3. Interface Pin Connections	2
4. Block Diagram	2
5. Absolute Maximum Rating	3
6. Electrical Characteristics	3
7. Optical Characteristics	3
8. Optical Definitions	3
9. Display Address	3
10. Interface to MPU	4
10.1 Interface to Z-80 CPU	4
10.2 Interface to MC6800 CPU	4
10.3 Interface to 4-bit CPU ( HMCS43C )	4
10.4 Interface to HD6805 MP	4
11. Timing Control	4
11.1 Write and Read Operation	4
11.2 Busy flag check timing	4
12. Initialization of LCM	5
13. Instruction Set	6
14. User Font Patterns	6
15. Software Example	7
15.1 8-bit operation ( 8 bits 2 lines )	7
15.2 4-bit operation ( 4 bits 2 lines )	7
16. Reliability Condition	8
17. Function Test & Inspection Criteria	8
18. Character Generator ROM Map	10

勝特力材料 886-3-5753170  
勝特力电子(上海) 86-21-54151736  
勝特力电子(深圳) 86-755-83298787  
[Http://www.100y.com.tw](http://www.100y.com.tw)

## 1. Mechanical Specification

ITEM	STANDARD VALUE			UNIT
NUMBER OF CHARACTERS	16 CHARACTERS X 2 LINES			--
CHARACTER FORMAT	5 X 8 DOTS			--
MODULE DIMENSION	85.0 (W) X 30.0 (H) X 9.0 (T)	85.0 (W) X 30.0 (H) X 13.2 (T)		mm
VIEWING DISPLAY AREA	65.0 (W) X 16.0 (H)			mm
ACTIVE DISPLAY AREA	56.21 (W) X 10.98 (H)			mm
CHARACTER SIZE	2.78 (W) X 4.89 (H)			mm
CHARACTER PITCH	3.53 (W) X 6.09 (H)			mm
DOT SIZE	0.50 (W) X 0.55 (H)			mm
DOT PITCH	0.57 (W) X 0.62 (H)			mm
LMC-SSC2A16DRG-01	STN, Gray, 1/16 Duty, 6 O'clock			
LMC-SSC2A16DRY-01	STN, Yellow Green, 1/16 Duty, 6 O'clock			
LMC-SSC2A16DLGY-01	STN, Gray, 1/16 Duty, 6 O'clock, LED Backlight			
LMC-SSC2A16DLYY-01	STN, Yellow Green, 1/16 Duty, 6 O'clock, LED Backlight			
LMC-SSC2A16DLYB-01	STN, Yellow Green, 1/16 Duty, 6 O'clock, LED Backlight (color is Blue)			
LMC-SSC2A16DLGY-E01	STN, Gray, 1/16 Duty, 6 O'clock, E Mode LED Backlight			
LMC-SSC2A16DLYY-E01	STN, Yellow Green, 1/16 Duty, 6 O'clock, E Mode LED Backlight			
EL Use Inverter Type	SDEC-I001A			
Inverter Input	DC +5V	V	25	mA
Inverter Output	AC 90 ~ 110	V	400 ~ 700	Hz
Backlight Half-Lift Time	3,000			HR.
LED Backlight Color	Yellow Green			
Backlight Input	DC +4.2V	V	100	mA
Backlight Half-Lift Time	50,000			HR.
E Mode LED Backlight Color	Yellow Green			
Backlight Input	DC +4.2V	V	40	mA
Backlight Half-Lift Time	30,000			HR.

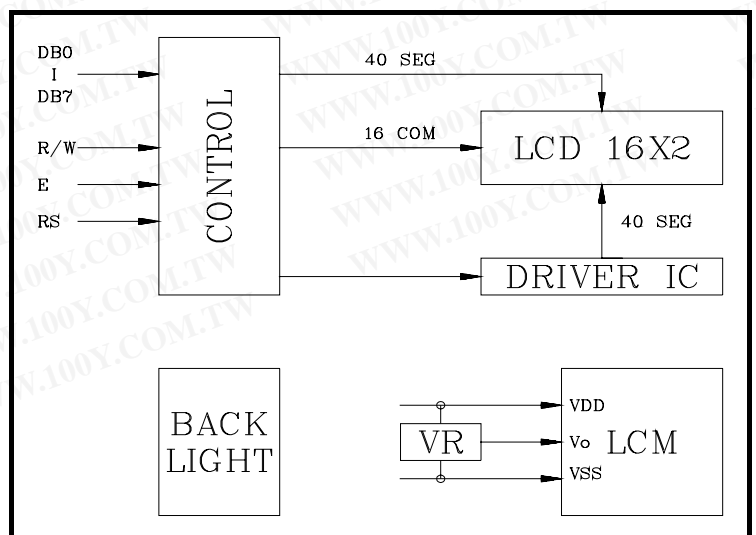
## 2. Mechanical Diagram



## 3. Interface Pin Connections

NO	SYMBOL	LEVEL	FUNCTION
1	VDD	--	DC +5V
2	VSS	--	GND (0V)
3	VO	H/L	Contrast Adjust
4	RS	H/L	Register select
5	R/W	H/L	Read/Write
6	E	H,H→L	Enable signal
7	DB0	H/L	Data Bit 0
8	DB1	H/L	Data Bit 1
9	DB2	H/L	Data Bit 2
10	DB3	H/L	Data Bit 3
11	DB4	H/L	Data Bit 4
12	DB5	H/L	Data Bit 5
13	DB6	H/L	Data Bit 6
14	DB7	H/L	Data Bit 7
	A+ (EL1)	--	A (EL Backlight 1)
	K- (EL2)	--	K (EL Backlight 2)

## 4. Block Diagram



## 5. Absolute Maximum Ratings

ITEM	SYMBOL	MIN.	TYPE	MAX.	UNIT
OPERATING TEMPERATURE	TOP	0/-20	--	+50/+70	
STORAGE TEMPERATURE	TST	-10/-30	--	+60/+80	
INPUT VOLTAGE	VI	VSS	--	VDD	V
SUPPLY VOLTAGE FOR LOGIC	VDD-VSS	--	5.0	6.5	V
SUPPLY VOLTAGE FOR LCD	VDD-VO	--	--	6.5	V
STATIC ELECTRICITY	Be sure that you are grounded when handing LCM.				

## 6. Electrical Characteristics

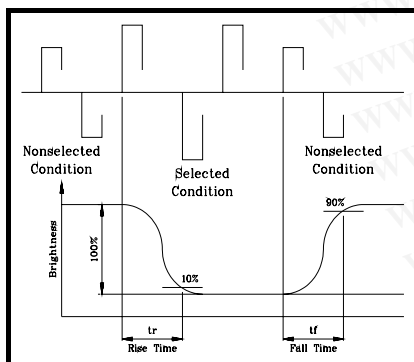
ITEM	SYN	CONDITION	MIN.	TYPE	MAX.	UNIT
SUPPLY VOLTAGE FOR LOGIC	VDD-VSS	--	4.5	5.0	5.5	V
SUPPLY VOLTAGE FOR LCD	VDD-VO	Ta= 0/-20	--	4.8/5.0	--	V
		Ta= 25	--	4.4	--	V
		Ta= +50/+70	--	4.1/3.9	--	V
INPUT HIGH VOLTAGE	VIH	--	2.2	--	VDD	V
INPUT LOW VOLTAGE	VIL	--	0	--	0.6	V
OUTPUT HIGH VOLTAGE	VOH	--	2.4	--	--	V
OUTPUT LOW VOLTAGE	VOL	--	--	--	0.4	V
SUPPLY CURRENT	IDD	VDD=+5V	--	3.0	4.5	mA

## 7. Optical Characteristics

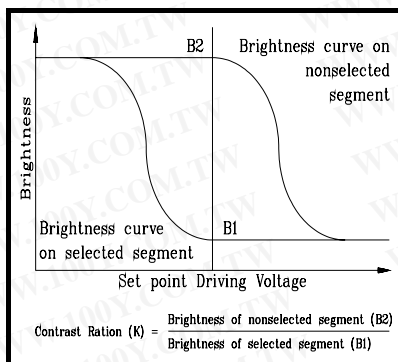
ITEM	SYM	CONDITION	MIN.	TYPE	MAX.	UNIT
VIEW ANGLE (V)		CR 2	-10	--	40	deg.
VIEW ANGLE (H)		CR 2	-30	--	30	deg.
CONTRAST RATIO	CR	--	--	5	--	--
RESPONSE TIME	TON	--	--	180	230	mS
RESPONSE TIME	TOFF	--	--	100	150	mS

## 8. Optical Definitions

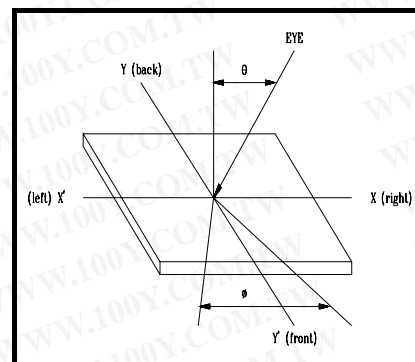
Response Time



Contrast Ratio



View Angle



## 9. Display Address

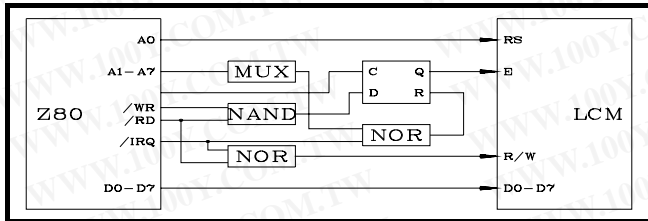
	1	2	3	4	5	6	7	8	9	10	11	12	13	14	15	16	17	18	19	20
Line 1	80	81	82	83	84	85	86	87	88	89	8A	8B	8C	8D	8E	8F				
Line 2	C0	C1	C2	C3	C4	C5	C6	C7	C8	C9	CA	CB	CC	CD	CE	CF				
Line 3																				
Line 4																				

	21	22	23	24	25	26	27	28	29	30	31	32	33	34	35	36	37	38	39	40
Line 1																				
Line 2																				
Line 3																				
Line 4																				

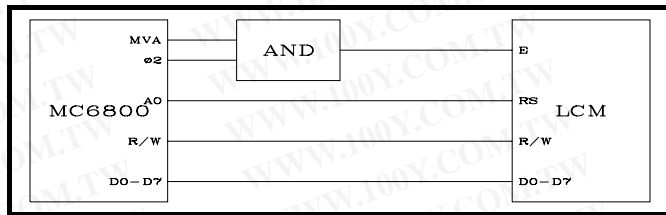


## 10. Interface to MPU

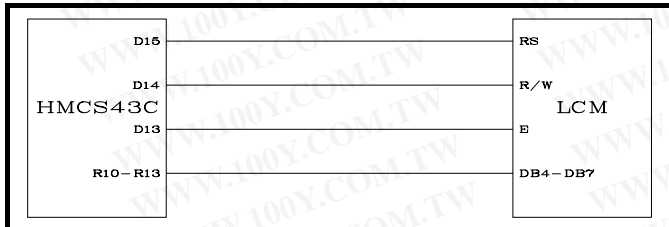
### 10.1 Interface to Z-80 CPU



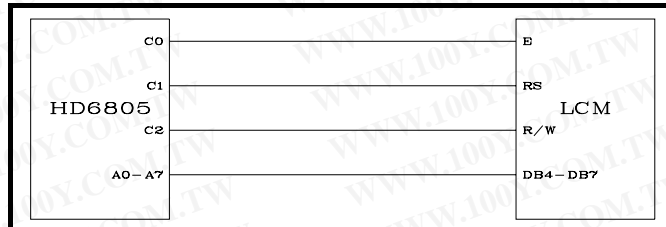
### 10.2 Interface to MC6800 CPU



### 10.3 Interface to 4-bit CPU (HMCS43C)



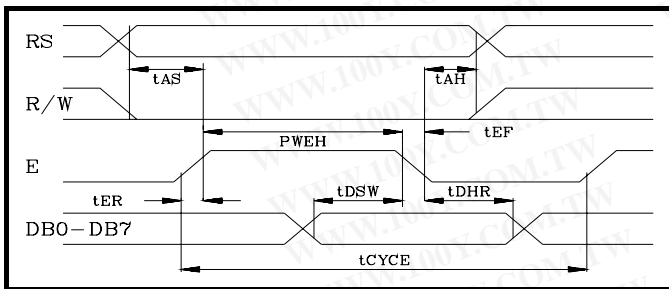
### 10.4 Interface to HD6805 MP



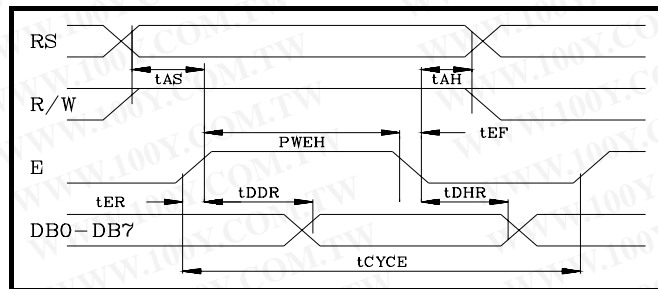
## 11. Timing Control

### 11.1 Write and Read Operation

Write Operation

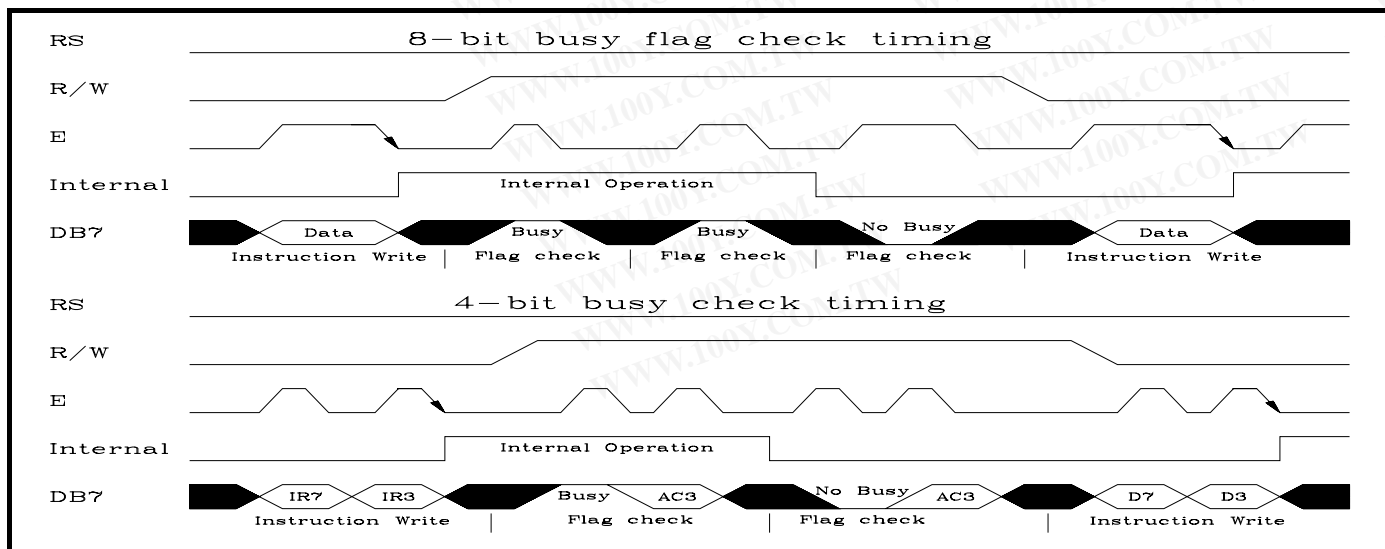


Read Operation



Item	Symbol	Limit (Min.)	Limit (Max.)	Unit
Enable Cycle Time	tCYCE	1000	--	ns
Enable Pules Width ( High level )	PWEH	450	--	ns
Enable Rise/Fall Time	tER,tEF	--	25	ns
Address Set-Up Time ( RS,R/W,E )	tAS	100	--	ns
Address Hole Time	tAH	10	--	ns
Data Set-Up Time	tDSW	100	--	ns
Data Delay Time	tDDR	--	190	ns
Data Hold Time	tDHR	20	--	ns

### 11.2 Busy flag check timing



Note : IR7, IR3 : Instruction 7th bit , 3rd bit ; AC3 : Address Counter 3rd bit.

## 12. Initialization of LCM

The LCM automatically initializes ( reset ) when power is turned on using the internal reset circuit. If the power supply conditions for correctly operating of the internal reset circuit are not met, initialization by instruction is required. Use the procedure is next page for initialization.

### Internal Power Supply reset



(Note 1) 10 ms    trcc    0.1 ms , toff    1 ms.

(Note 2) toff stipulates the time of power OFF for momentary power supply dip or when power supply cycles ON and OFF.

Item	Symbol	Test condition	Limit (Min.)	Limit (Max.)	Unit
Power supply rise time	trcc	--	0.1	10	ms
Power supply off time	toff	--	1	--	ms

(a) 8-bit interface

(b) 4-bit interface

Power ON										Power ON					
Wait more than 15ms after $V_{DD}$ rises to $0.9V_{DD}$										Wait more than 15ms after $V_{DD}$ rises to $0.9V_{DD}$					
Function Set										Function Set					
RS	R/W	DB7	DB6	DB5	DB4	DB3	DB2	DB1	DB0	RS	R/W	DB7	DB6	DB5	DB4
0	0	0	0	1	1	*	*	*	*	0	0	0	0	1	1
Wait more than 4.1 ms										Wait more than 4.1 ms					
Function Set										Function Set					
RS	R/W	DB7	DB6	DB5	DB4	DB3	DB2	DB1	DB0	RS	R/W	DB7	DB6	DB5	DB4
0	0	0	0	1	1	*	*	*	*	0	0	0	0	1	1
Wait more than 100 $\mu$ s										Wait more than 100 $\mu$ s					
Function Set										Function Set					
RS	R/W	DB7	DB6	DB5	DB4	DB3	DB2	DB1	DB0	RS	R/W	DB7	DB6	DB5	DB4
0	0	0	0	1	1	*	*	*	*	0	0	0	0	1	1
Wait more than 100 $\mu$ s or Busy Flag Check										Wait more than 100 $\mu$ s or Busy Flag Check					
Function Set										Function Set					
RS	R/W	DB7	DB6	DB5	DB4	DB3	DB2	DB1	DB0	RS	R/W	DB7	DB6	DB5	DB4
0	0	0	0	1	1	N	F	*	*	0	0	0	0	1	1
Display Off										Function Set					
RS	R/W	DB7	DB6	DB5	DB4	DB3	DB2	DB1	DB0	RS	R/W	DB7	DB6	DB5	DB4
0	0	0	0	0	0	1	0	0	0	0	0	0	0	1	0
Display Clear										Function Set					
RS	R/W	DB7	DB6	DB5	DB4	DB3	DB2	DB1	DB0	RS	R/W	DB7	DB6	DB5	DB4
0	0	0	0	0	0	0	0	0	1	0	0	N	F	*	*
Entry Mode Set										Display Off					
RS	R/W	DB7	DB6	DB5	DB4	DB3	DB2	DB1	DB0	RS	R/W	DB7	DB6	DB5	DB4
0	0	0	0	0	0	0	1	I/D	S	0	0	0	0	0	0
Write data to the DD/CG RAM and set the Instruction										Display Clear					
										RS	R/W	DB7	DB6	DB5	DB4
										0	0	0	0	0	0
										0	0	0	0	0	1
										Entry Mode Set					
										RS	R/W	DB7	DB6	DB5	DB4
										0	0	0	0	0	0
										0	0	0	1	I/D	S
										Write data to the DD/CG RAM and set the Instruction					

勝特力材料 886-3-5753170  
 勝特力电子(上海) 86-21-54151736  
 勝特力电子(深圳) 86-755-83298787  
[Http://www.100y.com.tw](http://www.100y.com.tw)

### 13. Instruction Set

FUNCTION	R S	R /W	D B 7	D B 6	D B 5	D B 4	D B 3	D B 2	D B 1	D B 0	DESCRIPTION	EXECU. TIME* (MAX.)
Clear Display	0	0	0	0	0	0	0	0	0	1	Clears entire display and returns the cursor to home position ( address 0 ).	1.64ms
Return Home	0	0	0	0	0	0	0	0	1	x	Return the cursor to the home position. Also returns the display being shifted to the original position. DD RAM contents remain unchanged.	1.64ms
Entry mode set	0	0	0	0	0	0	0	1	I / D	S	Set cursor move direct and specifies display shift. These operations are performed during data write/read. For normal operation, set S to zero. I/D=1 : increment ; 0 :decrement ; S=1 : accompanies display shift when data is written, for normal operation, set to zero.	40 μ s
Display ON/OFF control	0	0	0	0	0	0	1	D	C	B	Set ON/OFF all display(D),cursor ON/OFF(C), and blink of cursor position character(B). D=1: ON display; 0:OFF display. C=1: ON cursor;0: OFF cursor. B=1: ON blink cursor; 0: OFF blink cursor.	40 μ s
Cursor or Display shift	0	0	0	0	0	1	S / C	R / L	x	x	Move the cursor and shift the display without changing DD RAM contents. S/C=1: Display shift; 0:Cursor move. R/L=1: shift to right; 0: shift to left.	40 μ s
Function Set	0	0	0	0	1	D L	N	F	x	x	Set the interface data length (DL). Number of display lines (N) and character font (F). DL=1: 8 bits; 0:4 bits. N=1: 2 lines; 0: 1 lines. F=1: 5x10 dots; 0: 5x7 dots.	40 μ s
Set CG RAM address	0	0	0	1	ACG						Set CG RAM address. CG RAM data is sent and received after this setting.	40 μ s
Set DD RAM address	0	0	1	ADD						Set DD RAM address. DD RAM data is sent and received after this setting	40 μ s	
Read busy flag & address	0	1	B F	AC						Reads Busy Flag (BF) indicating internal operation is being performed and reads address counter contents. BF=1: internally operating. 0: can accept instruction	1 μ s	
Write Data to CG/DDRAM	1	0	WRITE DATA						Write data into DD RAM or CG RAM.			40 μ s
Read Data for CG/DDRAM	1	1	READ DATA						Read data from DD RAM or CG RAM			40 μ s

### 14. User Font Patterns ( CG RAM Character )

Character Code (DD RAM data)	CG RAM Address	Character Pattern (CG RAM data)
Hi 7 6 5 4 3 2 1 0 Lo	5 4 3 2 1 0	Hi 7 6 5 4 3 2 1 0 Lo
0000x000	000 001 010 000 011 100 101 110 111	xxx 1 1 1 1 0 xxx 1 0 0 0 1 xxx 1 0 0 0 1 xxx 1 1 1 1 0 xxx 1 0 1 0 0 xxx 1 0 0 1 0 xxx 1 0 0 0 1 xxx 0 0 0 0 0
0000x001	000 001 010 001 011 100 101 110 111	xxx 1 0 0 0 1 xxx 0 1 0 1 0 xxx 1 1 1 1 1 xxx 0 0 1 0 0 xxx 1 1 1 1 1 xxx 0 0 1 1 0 xxx 0 0 1 0 0 xxx 0 0 0 0 0
-----	-----	-----
0000x111	000 001 010 111 011 100 101 110 111	

勝特力材料 886-3-5753170  
 勝特力电子(上海) 86-21-54151736  
 勝特力电子(深圳) 86-755-83298787  
[Http://www.100y.com.tw](http://www.100y.com.tw)

## 15. Software Example

### 15.1 8-bit operation ( 8 bits 2 lines )

Function	R S	R w	D 7	D 6	D 5	D 4	D 3	D 2	D 1	D 0	Display	Description
Power on delay												Initialization. No display appears.
Function set	0	0	0	0	1	1	0	0	x	x		Sets to 8-bit operation and selects 2-line display and 5x7 dots character font. ( Note: number of display lines and character fonts cannot be chang after this. )
Display OFF	0	0	0	0	0	0	1	0	0	0		Turn off display.
Display ON	0	0	0	0	0	0	1	1	1	0	-	Turn on display and cursor
Entry Mode Set	0	0	0	0	0	0	0	1	1	0	-	Set mode to increment the address by one and to shift the cursor to the right, at the time of write, to the DD/CG RAM Display is not shifted.
Write data to CG/DD RAM	1	0	0	1	0	1	0	0	1	1	S_	Write "S". Cursor incremented by one and shift to right.
Write data to CG/DD RAM	1	0	0	1	0	0	0	1	0	0	SDEC_	Write "D" , "E" , and "C".
Set DD RAM	1	0	0	1	0	0	0	1	0	1	SDEC	Set RAM address so that the cursor is propositioned at the head of the second line.
Write data to CG/DD RAM				*	*						SDEC CR_	Write "C" , and "R".
Cursor or display shift	0	0	0	0	0	1	0	0	x	x	SDEC CR	Shift only the cursor position to the left.
Write data to CG/DD RAM				*	*						SDEC CO., LTD._	Write "O., LTD." .
Entry Mode Set	0	0	0	0	0	0	0	1	1	1	SDEC CO., LTD._	Set display mode shift at the time during writing operation.
Write data to CG/DD RAM	1	0	0	1	1	1	1	0	0	0	DEC O., LTD. x_	Write " x". Cursor incremented by one and shift to right. ( The display move to left. )
Write data to CG/DD RAM				*	*							Write other characters.
Return Home	0	0	0	0	0	0	0	0	1	0	SDEC CO., LTD.	Return both display and cursor to the original position ( Set address to zero).

### 15.2 4-bit operation ( 4-bit, 1 line )

Function	RS	R W	D7	D6	D5	D4	Display	Description
power on delay								initialization. No display appears.
Function set	0	0	0	0	1	0		Sets to 4-bit operation. In this case, operation is handled as 8-bits by initialization, and only this instruction completes with one write.
Function set	0	0	0	0	1	0		Sets 4-bit operation and selects 1-line display and 5x7 dot character font on and resetting is needed. ( number of display lines and character fonts cannot be changed hence after ).
Display ON/OFF Control	0	0	0	0	0	0	-	Turn on display and cursor.
Entry Mode Set	0	0	0	0	0	0	-	Set mode to incremented the address by one and to shift the cursor to the right, at the time of write. to the DD/CG RAM display is not shifted.
Write data to CG/DD RAM	1	0	0	1	0	1	S_	Write "S". Cursor incremented by one and shift to right.

same as 8-bit operation



## 16. Reliability Condition

		TN Type		STN Type			
		Normal Temp.	Wide Temp.	Normal Temp.	Wide Temp.		
Viewing Angle	Horizontal	±30°	±30°	±30°	±30°		
	Vertical (mm)	-10° to 30°	-10° to 30°	-10° to 40°	-10° to 40°		
Operating Temperature		-10 to 70	-25 to 80	0 to 50	*-20 to 70		
Storage Temperature		-20 to 80	-35 to 90	-20 to 70	*-30 to 80		
High Temperature (Power Off)		240 Hours @70	240 Hours @90	240 Hours @65	240 Hours @75		
Low Temperature (Power Off)		240 Hours @-20	240 Hours @-35	240 Hours @-15	240 Hours @-25		
High Temperature (Power On)		240 Hours @70	240 Hours @80	240 Hours @60	240 Hours @70		
Low Temperature (Power On)		240 Hours @-10	240 Hours @-25	240 Hours @-10	240 Hours @-20		
High Temperature & High Humidity		55 /90%RH 240 Hours	75 /90%RH 240 Hours	45 /90%RH 240 Hours	65 /90%RH 240 Hours		
Thermal Shock 5 Cycle		A	60min@-20	60min@-35	60min@-20	60min@-30	
		B	5min@25	5min@25	5min@25	5min@25	5min@25
		C	60min@70	60min@90	60min@70	60min@80	60min@80
Expected Lift		50,000 Hours	50,000 Hours	50,000 Hours	50,000 Hours		

\*Wide temp. version may not available for some products, Please consult our sales engineer or representative.

## 17. Functional Test & Inspection Criteria

### 17.1 Sample plan

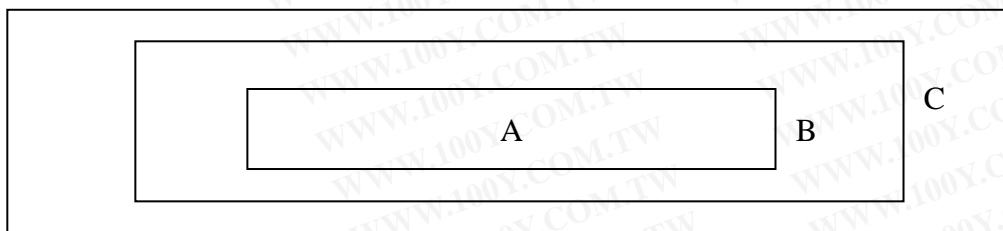
Sample plan according to MIL-STD-105D level 2, and acceptance/rejection criteria is.

Base on : Major defect : AQL 0.65 Minor defect : AQL 2.5

### 17.2 Inspection condition

Viewing distance for cosmetic inspection is 30cm with bare eyes, and under an environment of 800 lus (20W) light intensity. All direction for inspecting the sample should be within 45° against perpendicular line.

### 17.3 Definition of Inspection Zone in LCD



Zone A : Character / Digit area

Zone B : Viewing area except Zone A ( Zone A + Zone B = minimum Viewing area )

Zone C : Outside viewing area ( invisible area after assembly in customer's product )

Note : As a general rule, visual defects in Zone C are permissible, when it is no trouble for quality and assembly of customer's product.

### 17.4 Major Defect

All functional defects such as open ( or missing segment ), short, contrast differential, excess power consumption, smearing, leakage, etc. and overall outline dimension beyond the drawing. Are classified as major defects.

17.5 Minor Defect

Except the Major defects above, all cosmetic defects are classified as minor defects.

Item No.	Item to be Inspected	Inspection Standard				Classification of defects	
1.	Spot defect ( Defects in spot from )	Zone size (mm)		Acceptable Qty			Minor
		0.15		A	B	C	
				Acceptable ( clutering of spot not allowed )			
		0.15	0.20	1	2	Acceptable	
		0.20	0.25	0	1		
		>0.25		0	0		
Remarks : for dark/white spot, size is defined as $=1/2(X+Y)$							
2.	Line defect ( Defects in line form )	Size (mm)		Acceptable Qty			Minor
		L	W	Zone			
		Length	Width	A	B	C	
		Acceptable	W 0.02	Acceptable	Acceptable		
		L 3.0	W 0.03	2			
		L>2.5	W 0.03	0			
		L 3.0	0.03<W 0.05	2			
		L>2.5	0.03<W 0.05	0			
		W>0.05	Counted as spot defect ( Follows item 17.5.1 )				
Remarks: The total of spot defect and line defect shall not exceed four.							
3.	Orientation defect ( such as misalignment of L/C )	Not allowed inside viewing area ( Zone A or Zone B )				Minor	
4.	Polarizing	17.5.4.1 Polarizer Position				Minor	
		1. Shifting in Position Should not exceed the glass outline dimension.					
		2. Incomplete covering of the viewing area due to Shifting is not allowed.					
		17.5.4.2 Seratches, bubble or dent on Glass/ Polarizer/Reflector, Bubble between Polarizer & Reflector/Glass:					
		Size (mm)		Acceptable Qty			
				Zone			
				A	B		C
0.20		Acceptable			Acceptable		
0.20<	0.50	3					
0.50<	1.00	2					
>1.00		0					

勝特力材料 886-3-5753170  
 勝特力电子(上海) 86-21-54151736  
 勝特力电子(深圳) 86-755-83298787  
[Http://www.100y.com.tw](http://www.100y.com.tw)

# 18. Character Generator ROM Map

勝特力材料 886-3-5753170  
 勝特力电子(上海) 86-21-54151736  
 勝特力电子(深圳) 86-755-83298787  
[Http://www.100y.com.tw](http://www.100y.com.tw)

Higher 4 bit Lower 4 bit		CHARACTER PATTERN CHART<5×7DOTS+CURSOR>												
		0000	0010	0011	0100	0101	0110	0111	1010	1011	1100	1101	1110	1111
Lower 4-bit (D0-D3) of Character Code (Hexadecimal)	xxxx0000	CG RAM (1)		0	a	P	\	F		—	㊦	㊧	㊨	㊩
	xxxx0001	(2)	!	1	A	Q	a	q	a	ア	チ	ㄥ	㊰	㊱
	xxxx0010	(3)	"	2	B	R	b	r	ㄱ	イ	ウ	ㄨ	㊲	㊳
	xxxx0011	(4)	#	3	C	S	c	s	ㄴ	㊴	㊵	㊶	㊷	㊸
	xxxx0100	(5)	\$	4	D	T	d	t	\	㊹	㊺	㊻	㊼	㊽
	xxxx0101	(6)	%	5	E	U	e	u	.	㊾	㊿	ㄱ	㊰	㊱
	xxxx0110	(7)	&	6	F	V	f	v	ㄱ	㊴	㊵	㊶	㊷	㊸
	xxxx0111	(8)	'	7	G	W	g	w	ㄱ	㊴	㊵	㊶	㊷	㊸
	xxxx1000	(1)	(	8	H	X	h	x	ㄱ	㊴	㊵	㊶	㊷	㊸
	xxxx1001	(2)	)	9	I	Y	i	y	ㄱ	㊴	㊵	㊶	㊷	㊸
	xxxx1010	(3)	*	:	J	Z	j	z	ㄱ	㊴	㊵	㊶	㊷	㊸
	xxxx1011	(4)	+	;	K	[	k	[	ㄱ	㊴	㊵	㊶	㊷	㊸
	xxxx1100	(5)	,	<	L	¥	l	l	ㄱ	㊴	㊵	㊶	㊷	㊸
	xxxx1101	(6)	—	=	M	]m	]	m	ㄱ	㊴	㊵	㊶	㊷	㊸
	xxxx1110	(7)	.	>	N	^n	^	n	ㄱ	㊴	㊵	㊶	㊷	㊸
	xxxx1111	(8)	/	?	O	_o	_	o	ㄱ	㊴	㊵	㊶	㊷	㊸